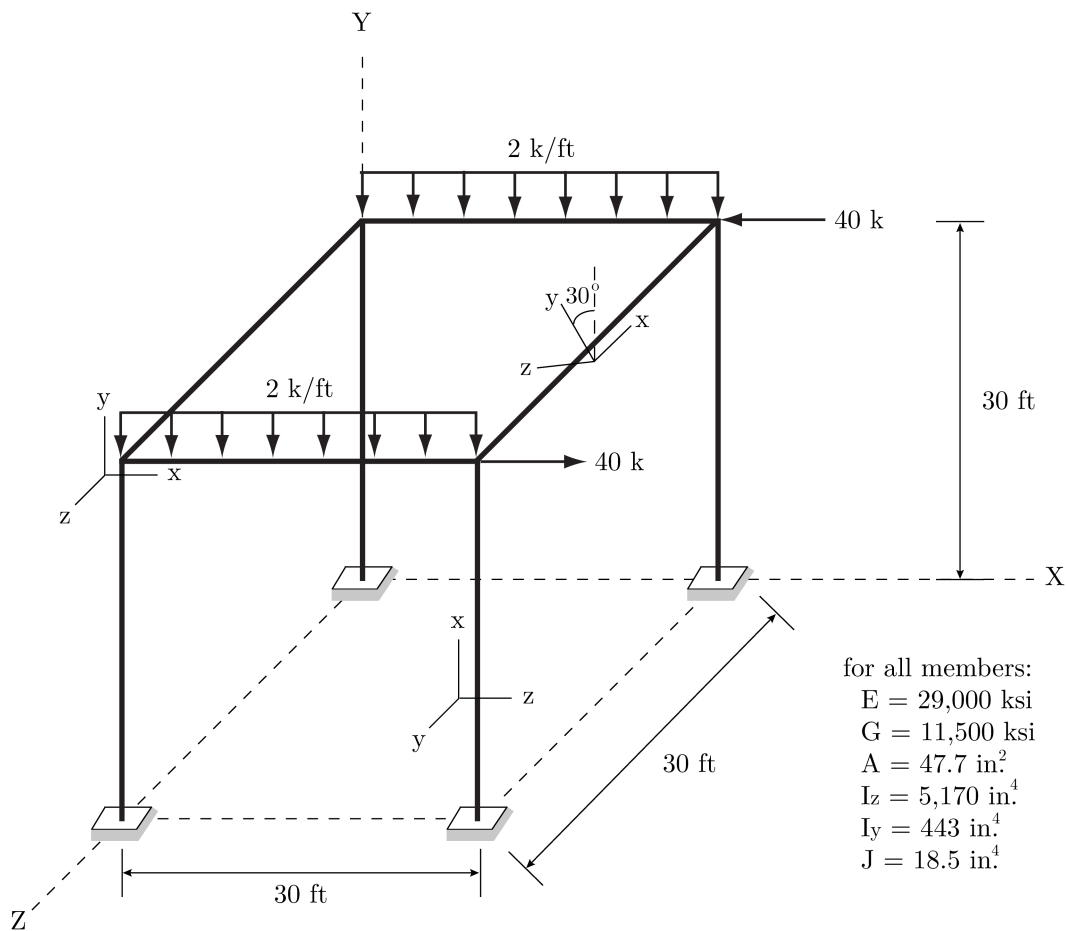


CE 525 Fall 2024 HW#8

Due Wednesday, November 27, by 5:00pm ET

1. For the space frame shown determine joint displacements, local member-end forces, and support reactions using the Matrix Displacement Method:

- a. (20 pts) By Computer Programming
- b. (20 pts) Using SAP2000



Note: local axes for three members shown apply to other members of same type